
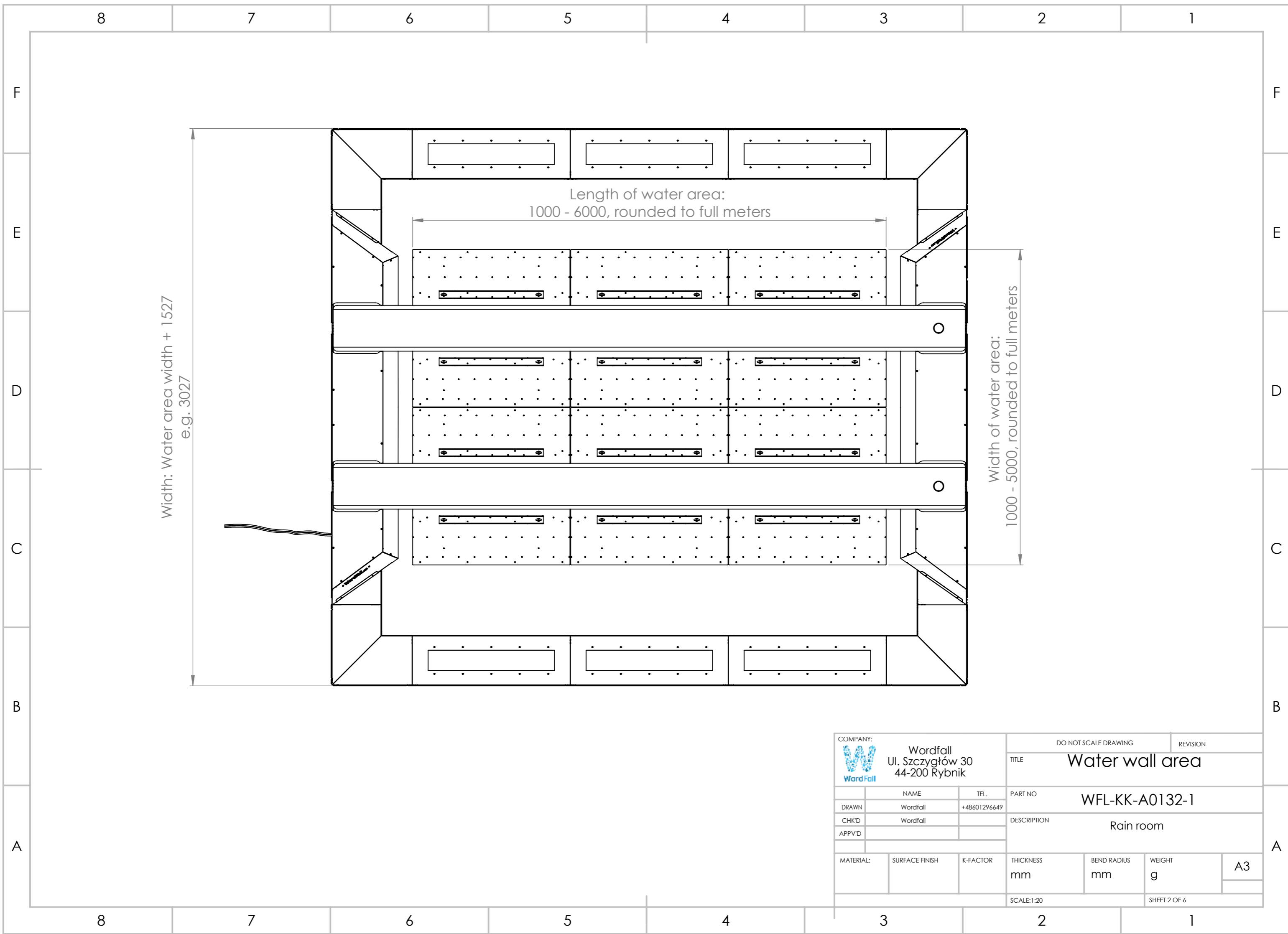

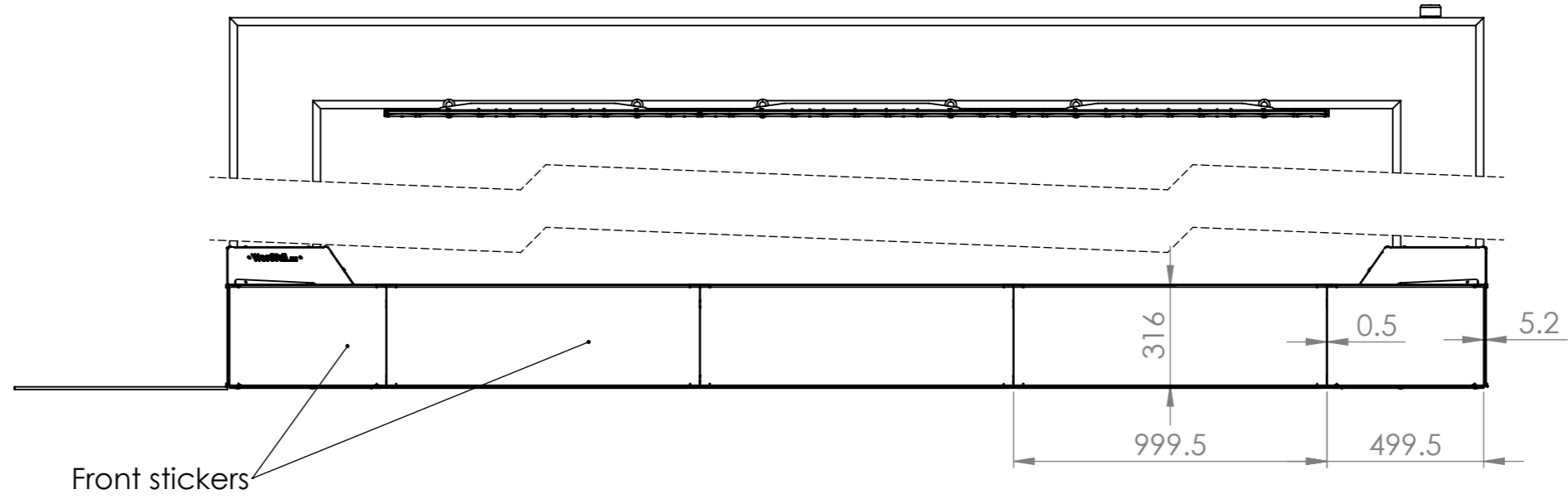


COMPANY:  Wordfall Ul. Szczygłów 30 44-200 Rybnik			DO NOT SCALE DRAWING		REVISION	
			TITLE: Rain room mobile installation			
			PART NO: WFL-KK-A0132-1			
DRAWN: Wordfall			DESCRIPTION: Rain room			
CHK'D: Wordfall						
APPV'D:						
MATERIAL:	SURFACE FINISH	K-FACTOR	THICKNESS	BEND RADIUS	WEIGHT	A3
			mm	mm	g	
SCALE: 1:20					SHEET 1 OF 6	

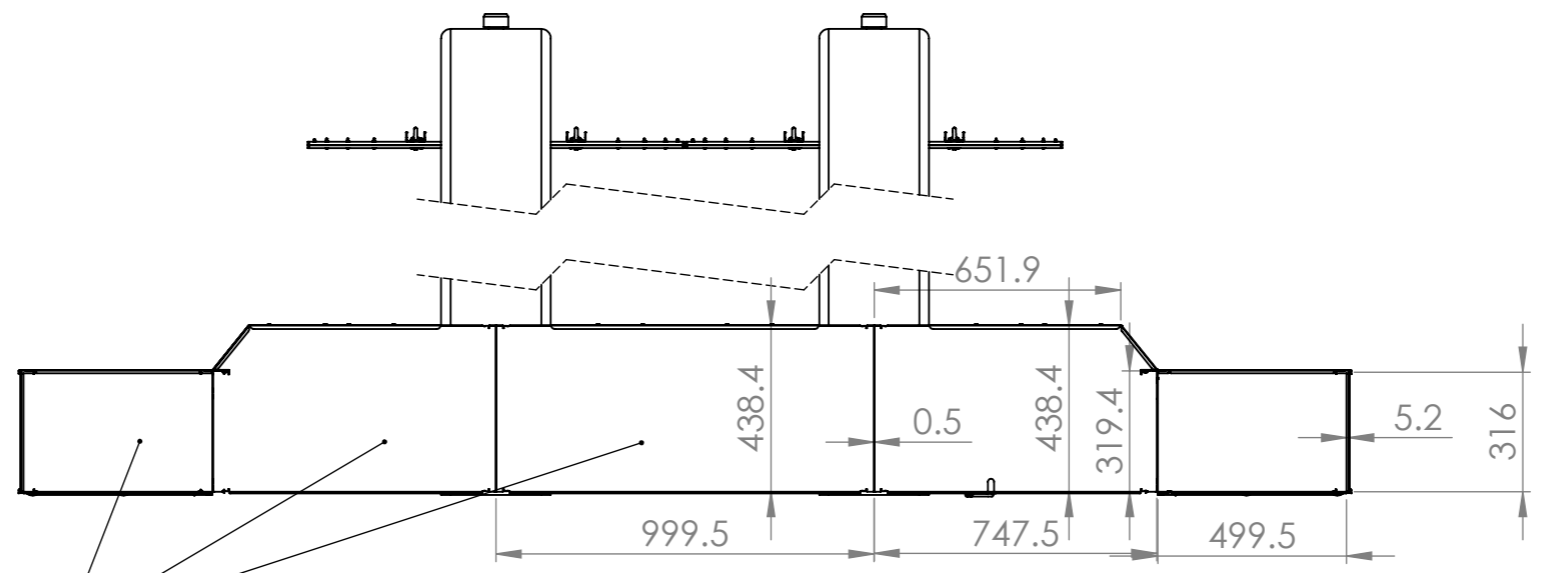


COMPANY:  Wordfall Ul. Szczygłów 30 44-200 Rybnik			DO NOT SCALE DRAWING		REVISION	
			TITLE: Water wall area			
			PART NO: WFL-KK-A0132-1			
			DESCRIPTION: Rain room			
DRAWN: Wordfall		TEL: +48601296649				
CHK'D: Wordfall						
APPVD:						
MATERIAL:	SURFACE FINISH	K-FACTOR	THICKNESS mm	BEND RADIUS mm	WEIGHT g	A3
			SCALE: 1:20		SHEET 2 OF 6	



FRONT


Front stickers



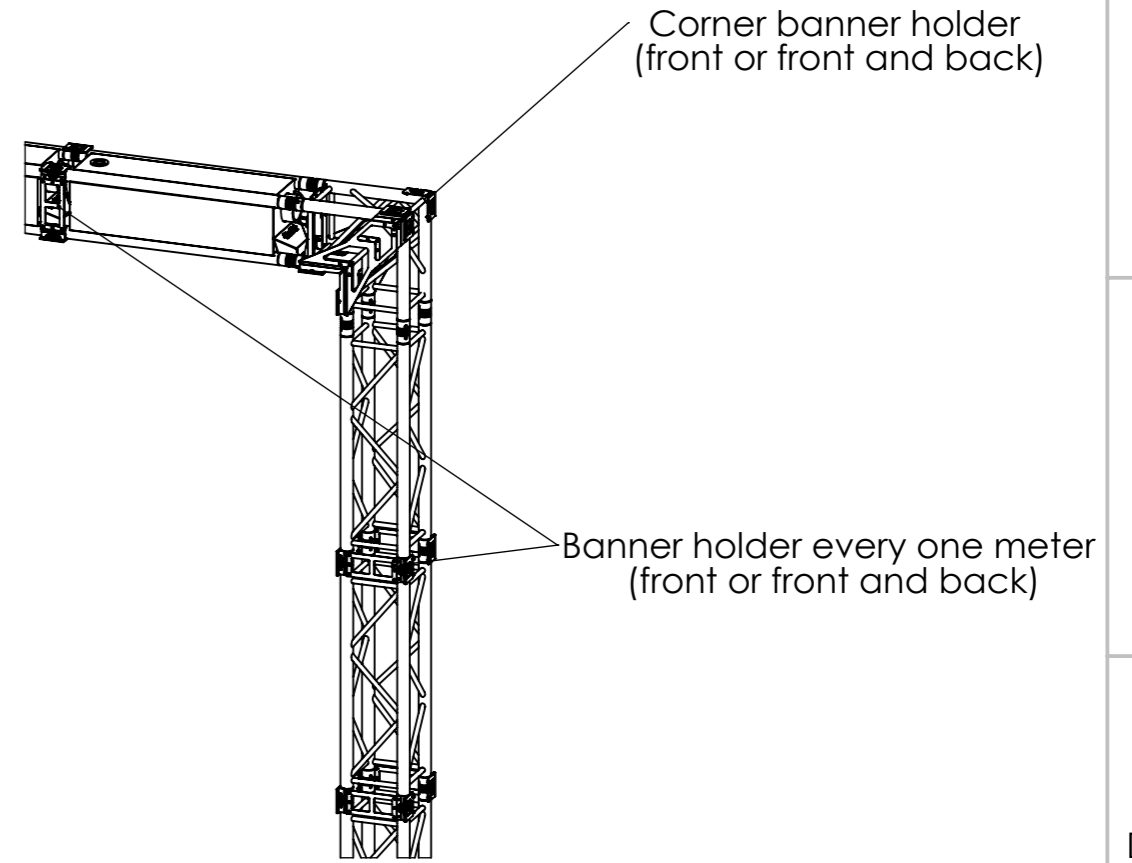
SIDE

Side stickers

All vertical walls:
Stainless steel covered
with black or white sticky foil
(stickers)

COMPANY:  Wordfall Ul. Szczygłów 30 44-200 Rybnik			DO NOT SCALE DRAWING		REVISION	
			TITLE: Branding			
			PART NO: WFL-KK-A0132-1			
			DESCRIPTION: Rain room			
DRAWN: Wordfall		TEL: +48601296649				A3
CHK'D: Wordfall						
APP'VD:						
MATERIAL:	SURFACE FINISH	K-FACTOR	THICKNESS mm	BEND RADIUS mm	WEIGHT g	
			SCALE: 1:20		SHEET 3 OF 6	

- There are two ways to fix a banner
1. Slide-in (only horizontal banners)
 2. Using screws (both horizontal and vertical)



Banners and stickers should be delivered by the client
 Banners can be placed on the front side or front and back side

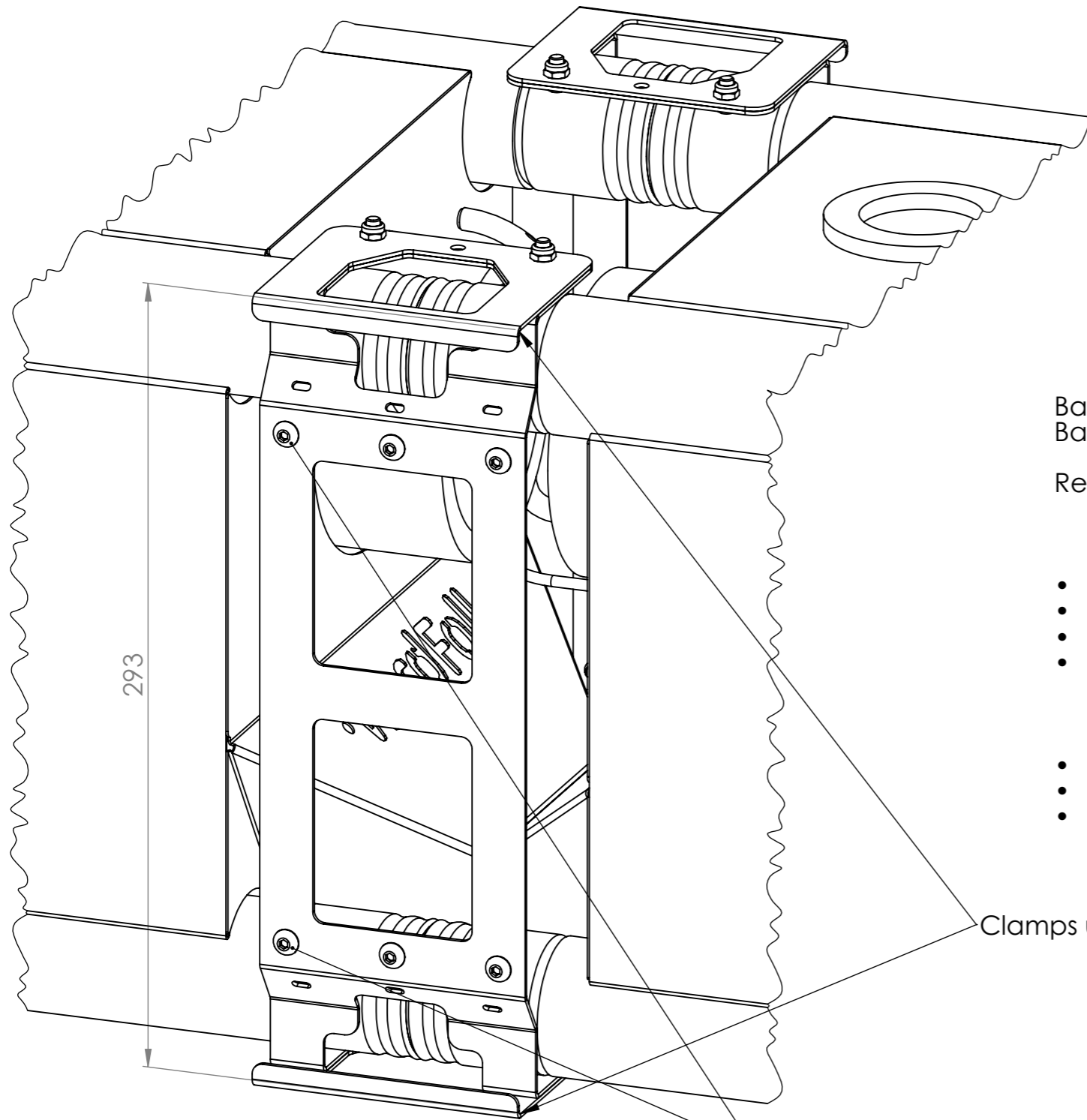
Requirements:

Slide-in banner:

- Thickness: 3-5mm
- Height: 290mm +/-2mm
- Length: total length of the construction
- No holes necessary


Screw-fixed banner:

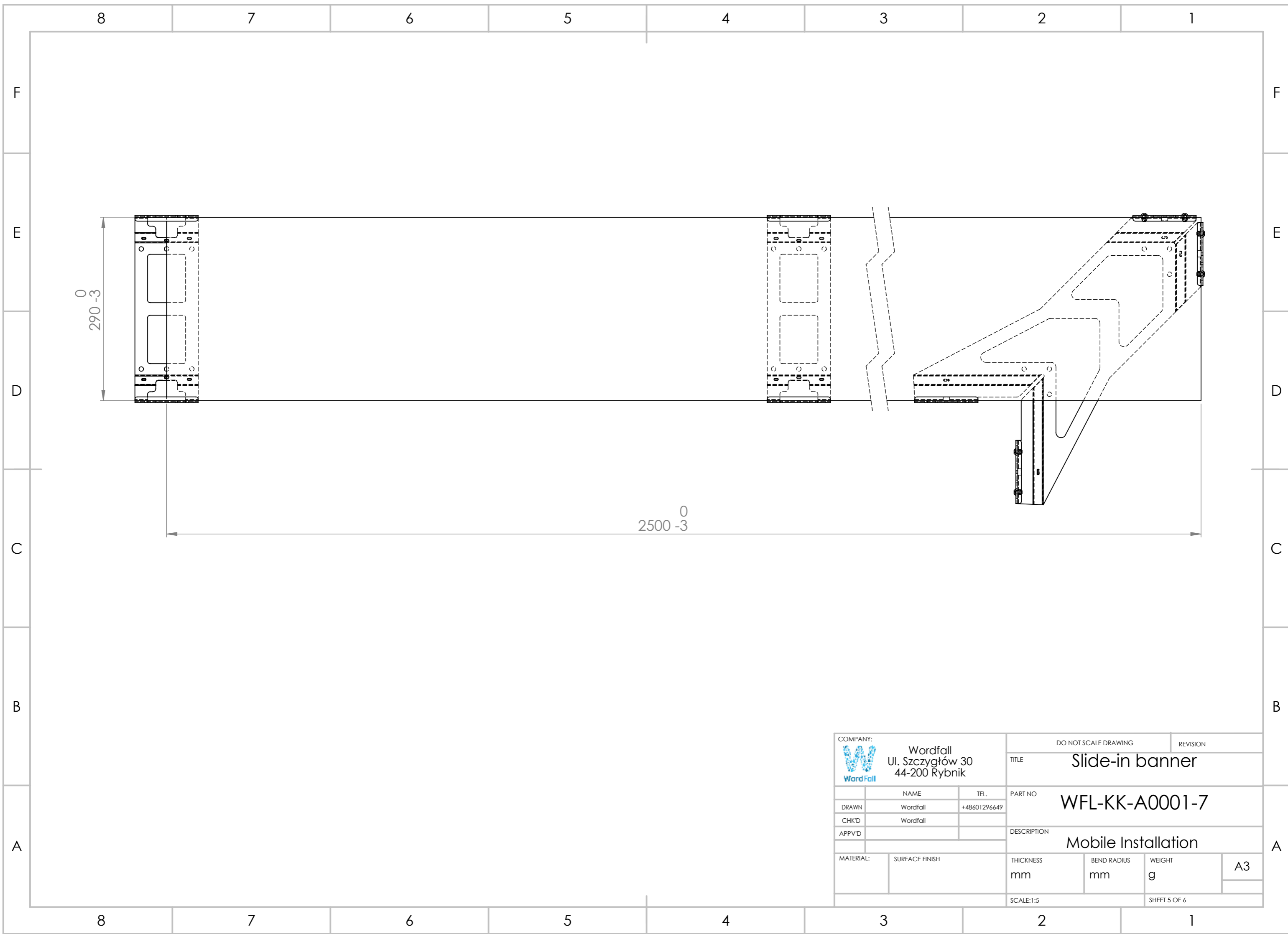
- Any reasonable height and shape
- Weight: 1,5kg per banner holder
- Holes diameter: 6-7mm, holes should be already drilled before the installation. Our technicians will not be equipped to drill holes at the place




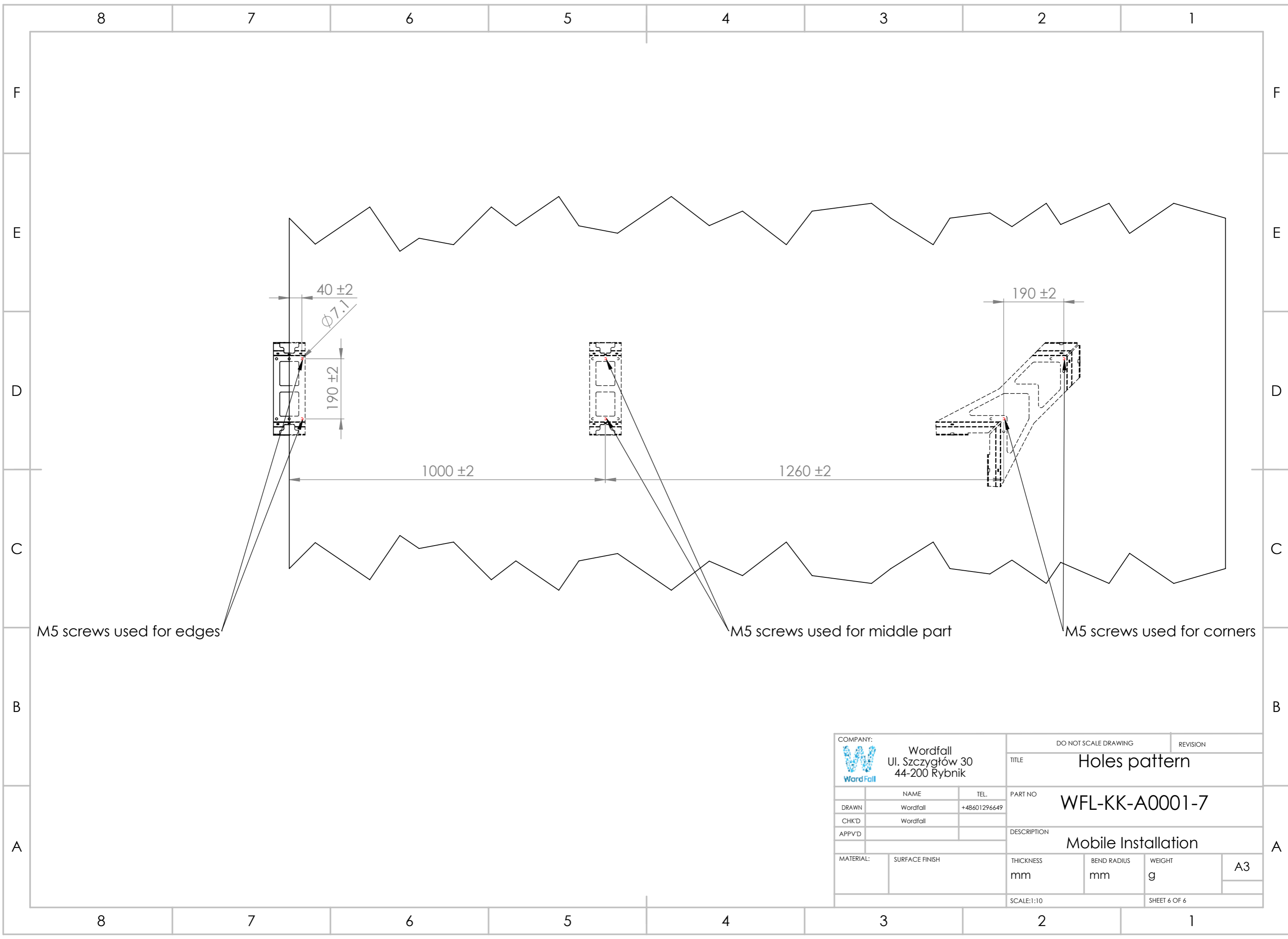
Clamps used only for slide-in banners

M5 screws used only for screw-fixed banner

COMPANY:  Wordfall Ul. Szczygłów 30 44-200 Rybnik		DO NOT SCALE DRAWING		REVISION	
DRAWN: Wordfall		TEL: +48601296649		TITLE: Standard banner holder	
CHK'D: Wordfall		APPV'D:		PART NO: WFL-KK-A0001-7	
MATERIAL:		SURFACE FINISH:		DESCRIPTION: Mobile Installation	
THICKNESS: mm		BEND RADIUS: mm		WEIGHT: g	
SCALE: 1:2		SHEET 4 OF 6		A3	




COMPANY:  Wordfall Ul. Szczygłów 30 44-200 Rybnik		DO NOT SCALE DRAWING		REVISION	
DRAWN		NAME		TITLE	
CHK'D		Wordfall		Slide-in banner	
APPV'D		TEL.		PART NO	
		+48601296649		WFL-KK-A0001-7	
MATERIAL:		SURFACE FINISH		DESCRIPTION	
				Mobile Installation	
THICKNESS		BEND RADIUS		WEIGHT	
mm		mm		g	
SCALE:1:5		SHEET 5 OF 6		A3	



M5 screws used for edges

M5 screws used for middle part

M5 screws used for corners

COMPANY:  Wordfall Ul. Szczygłów 30 44-200 Rybnik		DO NOT SCALE DRAWING		REVISION	
DRAWN		NAME		TITLE	
CHK'D		TEL.		Holes pattern	
APPV'D		+48601296649		PART NO	
MATERIAL:		SURFACE FINISH		WFL-KK-A0001-7	
				DESCRIPTION	
				Mobile Installation	
		THICKNESS		WEIGHT	
		mm		g	
		BEND RADIUS		A3	
		mm			
		SCALE:1:10		SHEET 6 OF 6	